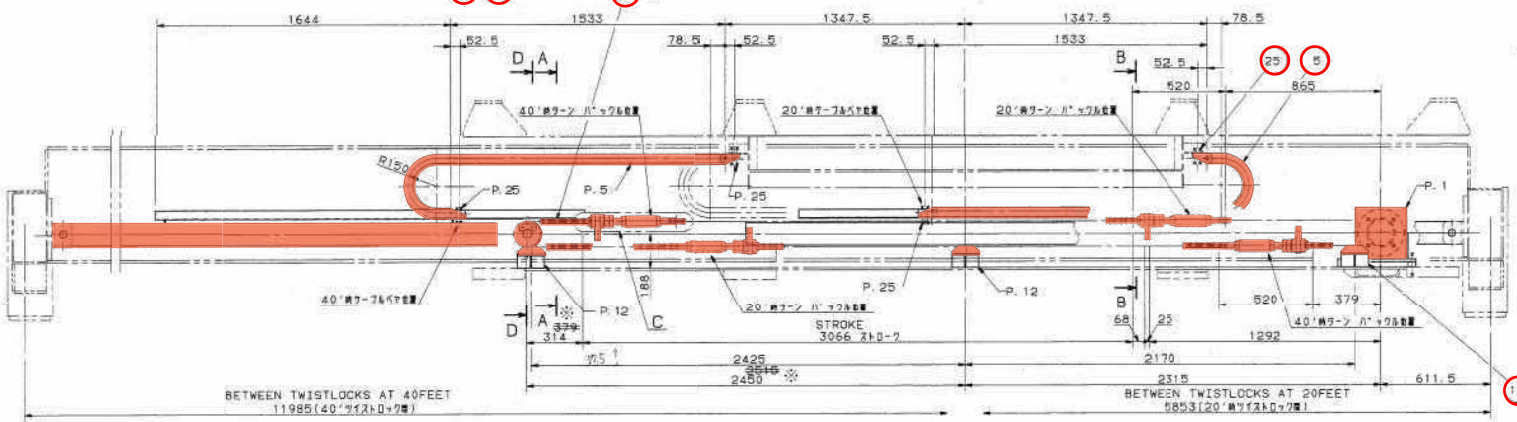
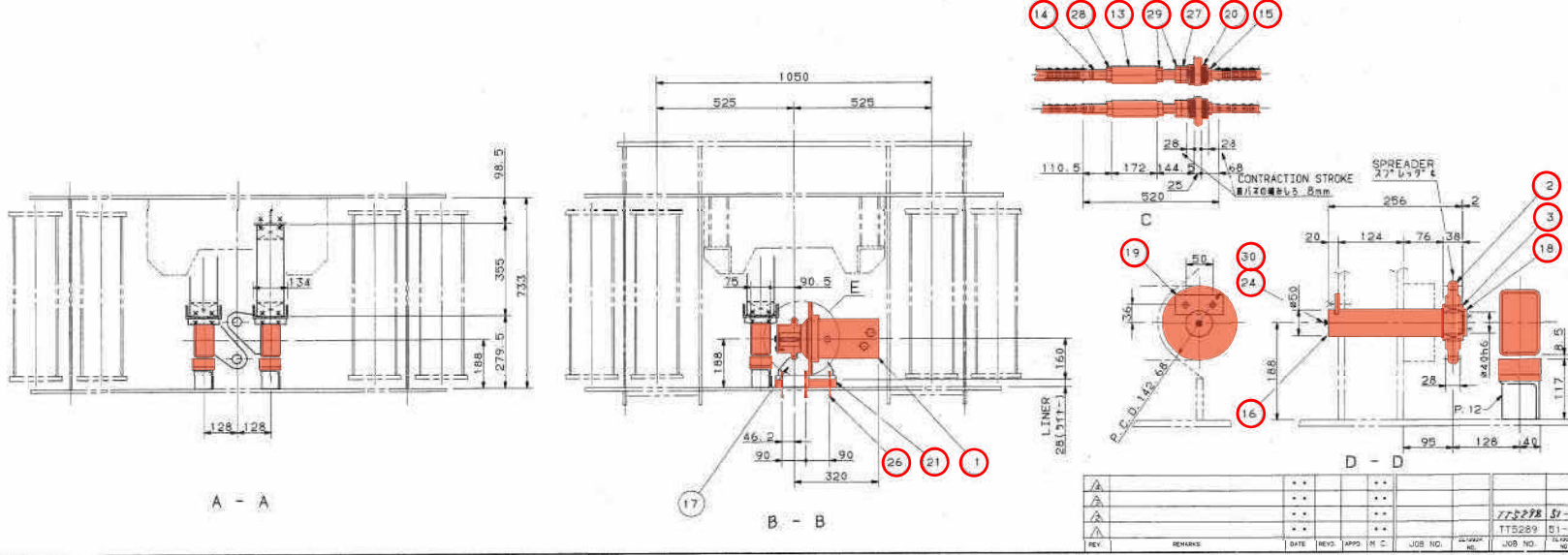


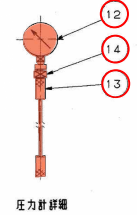
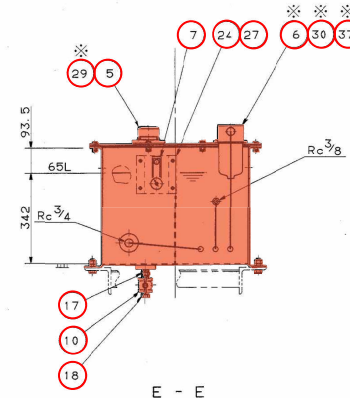
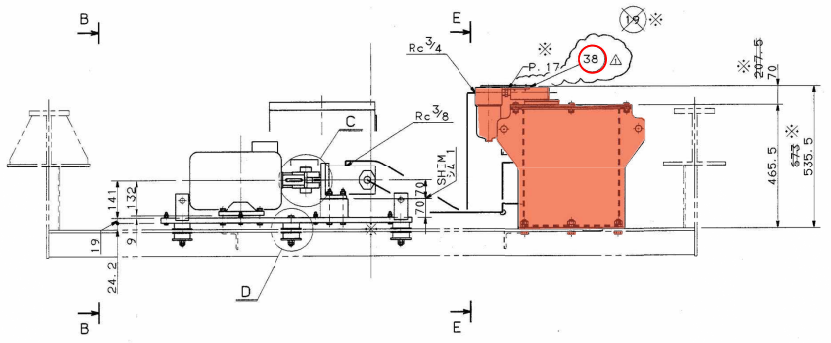
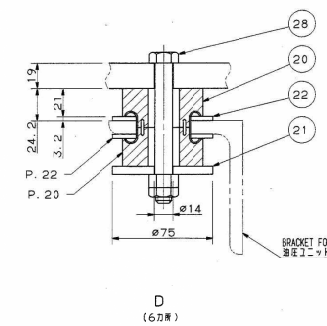
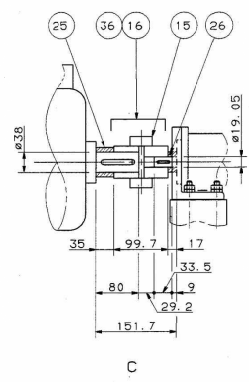
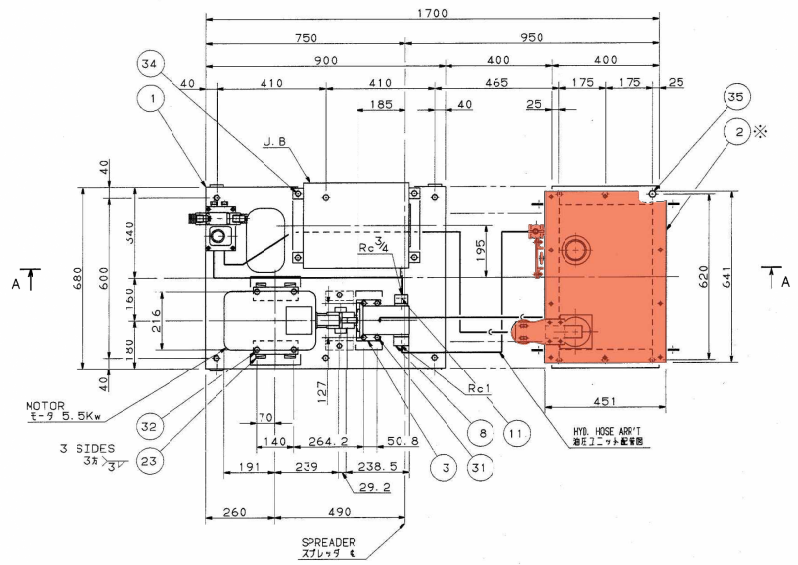
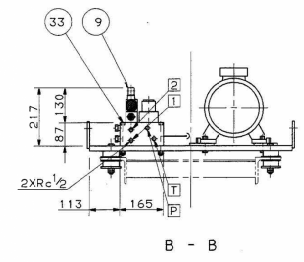
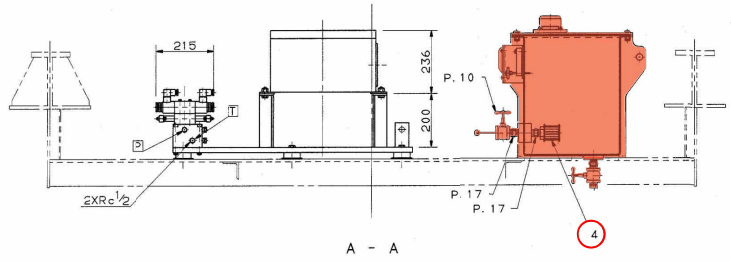
※ 鋼材: 鋼材 JIN943155 Δ 鋼材: ステンレス鋼材 SUS304 P. 2 鋼材の寸法は標準寸法に準ずる。(寸法単位)



NO.	NAME	MATERIAL	QTY	UNIT WEIGHT	WEIGHT	ENG. NO.	REMARKS
35	ROLLER CHAIN	11943155	1	17.5	17.5	139 LIN	
34	PLAIN WASHER	14H	4				
33	BOLT NYLON NUT	M16 X 20	4				
32	SPROCKET	Z7C21	1	5	5		
31	SHAFT END-PLATE	44242001	1	0.4	0.4		
30	NUT	M33	1			JIS B230	
29	NUT	M33	4	4	16		RIGHT HAND
28	NUT	M33	4	2	8		LEFT HAND
27	NUT	M33	4	2	8		RIGHT HAND
26	BOLT NYLON NUT	M16 X 20	4	6	24		
25	BOLT NYLON NUT	SUS304	1				
24	CREASE NUT	B8DM	1				
23	SPLIT PIN	25C204	2				
22	SHEAR LUG	44660074	1	1.5	1.5		
21	LINER	44933030	2	2	4		
20	CONED DISC SPRING	MDS 32-2	20	0.1	2		
19	KEEP PLATE	44933004	1	0.2	0.2		
18	SHAFT END PLATE	4410001	1	0.1	0.1		
17	STAND FOR SL. HYD. MOTOR	44933109	1	22	22		
16	BLANK	44933079	1	4	4		
15	SCREW ROD FOR TURN BUCKLE	44933104	2	2	4		
14	SCREW ROD FOR TURN BUCKLE	44933103	2	1	2		
13	TURN BUCKLE	44933072	2	4	8		
12	GUIDE FOR TENSION ROD	44933035	4	1	4		
11	BLANK						
10	TENSION ROD PIN	44933029	2	4	8		
9	TENSION ROD	44940071	1	74	74		
8	TENSION ROD	44943043	1	71	71		
7	TABLE EYE FOR GUIDE	44943042	2	13	26		
5	BLANK						
5	LARGE WELTOP	TKC470	2	6	12		
4	ROLLER CHAIN	143 LIN	1	18	18		
3	BEARING	06	1	0.6	0.6		
2	SPROCKET	143	1	3	3		
1	SL. HYD. MOTOR	35	1	35	35		

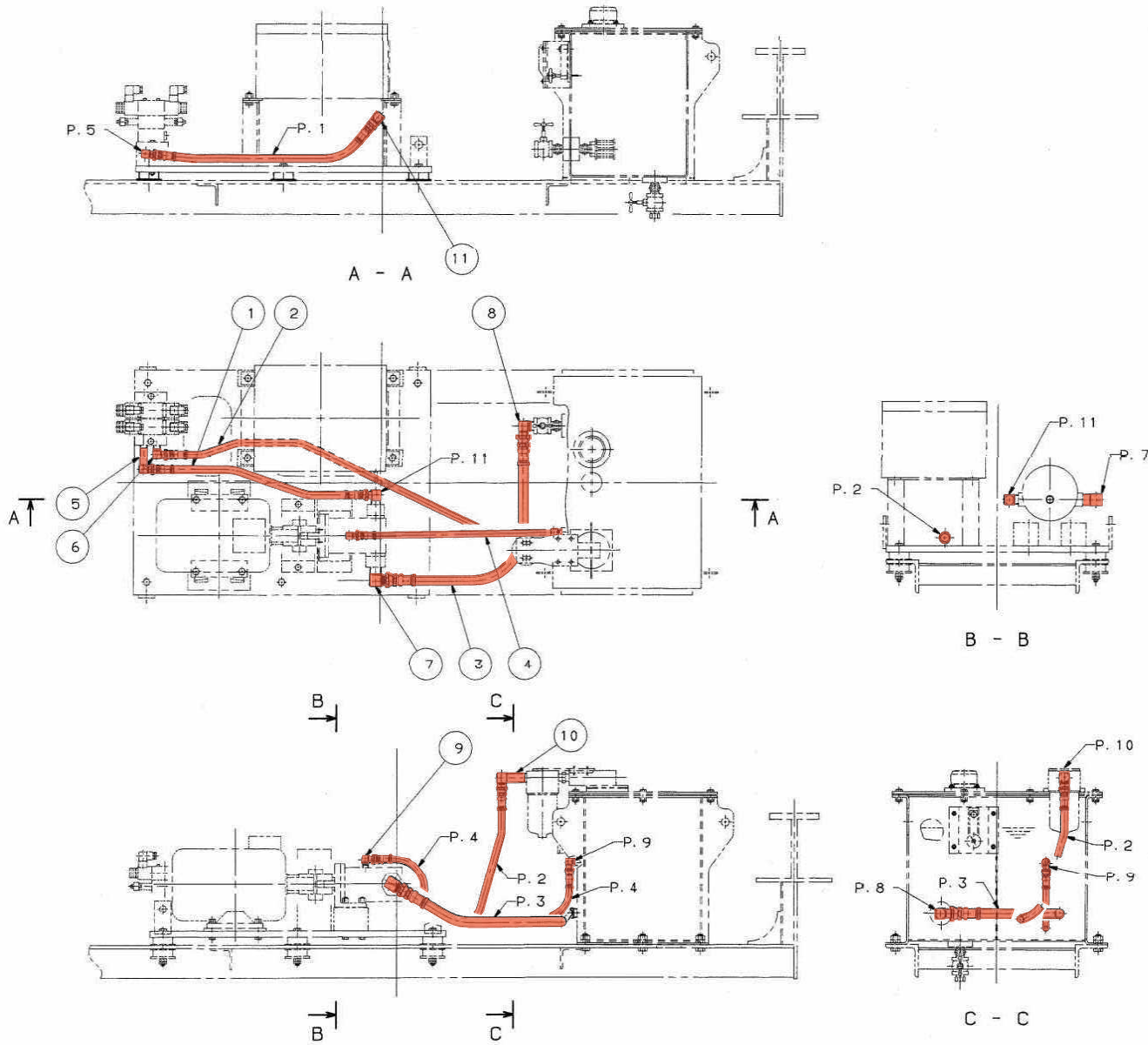


※部材は、標準部品のIN943158より、ポンプの  
 給油コリヤ及び、リターンフィルタ取付位置変更した。  
 (※:旧部)



NO.	NAME	MATERIAL	QTY	ONE WEIGHT (KG)	TOTAL WEIGHT (KG)	DWG. NO.	P	REMARKS
38	リナー		1	0.8	4T951279			
37	RETURN PIPE		1	8	3T950589			
36	BOLT, HARD LOCK NUT	SUS304	2	-	-			
35	BOLT, HARD LOCK NUT	B:10.9 N:S45C	6	-	-			
34	BOLT, NYLON NUT	SUS304	4	-	-			
33	BOLT, HARD LOCK NUT	B:10.9 N:S45C	4	-	-			
32	BOLT, NYLON NUT	SUS304	4	-	-			
31	BOLT, HARD LOCK NUT	B:10.9 N:S45C	4	-	-			
30	BOLT, SPRING WASHER	SUS304	4	-	-			
29	BOLT, SPRING WASHER	SUS304	4	-	-			
28	BOLT, HARD LOCK NUT	B:10.9 N:S45C	6	-	-			
27	BOLT, HARD LOCK NUT	SUS304	4	-	-			
26	DISTANCE PIECE		1	0.2	4N943014			
25	DISTANCE PIECE		1	0.3	4N943013			
24	コリヤ		1	-	4N940088			
23	SHEAR LUG		4	0.1	0.4 4N800002			
22	PL3.2 X Ø75/Ø42	SS30	12	0.1	1.2			
21	PL6 X Ø75/Ø14	SS30	6	0.2	1.2			
	RUBBER		12	0.2	2.4			
19	PLUG		4	-	-			
18	NIPPLE		1	0.1	-			
17	NIPPLE		4	0.1	0.4			
16	COUPLING COVER		1	0.6	4N943012			
15	CONNECTOR		1	-	-			
14	FLEXIBLE HOSE		1	-	-			
13	PRESSURE GAUGE		1	-	-			
12	MINICHECK		1	-	-			
11	GLOBE VALVE		2	-	-			
10	VALVE LOCK ASS'Y		1	17	-			
9	FLANGE KIT		1	1.2	-			
8	FLANGE KIT		1	-	-			
7	AIR BREATHER		1	4	-			
6	SUCTION STRAINER		1	0.3	-			
5	HYD. TANK		1	13.7	-			
4	DIP TANK		75	11950582	89743139			
3	PUMP UNIT BASE		1	96	2N943103			

REV.	REMARKS	DATE	REV.	APPRO.	M. C.	JOB NO.	CLASS.	JOB NO.	CLASS.
	P. 38 2次所								


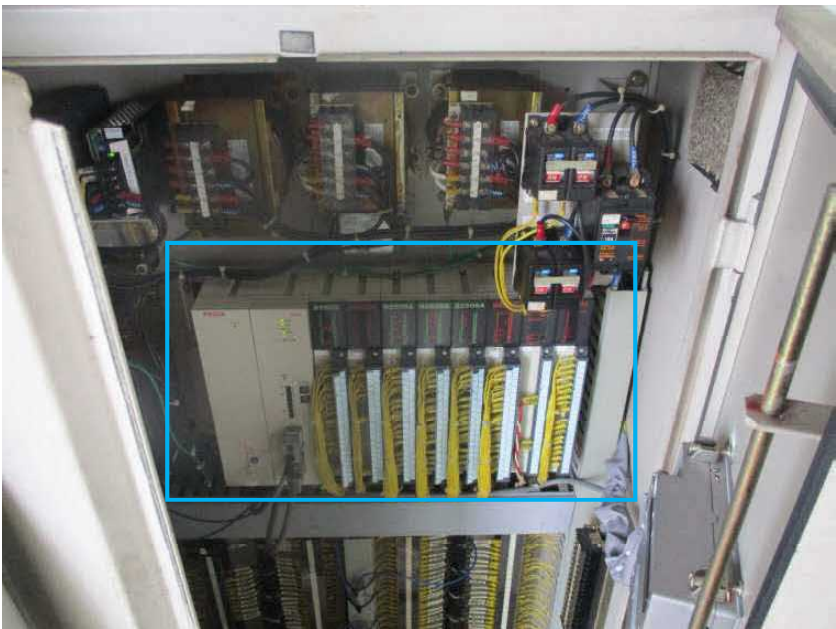


本図は、標準図 $\triangle$ 2N943088より、リターンフィルタ  
取付部分が異なる。

NO.	NAME	MATERIAL	QTY.	ONE WEIGHT (KG)	TOTAL WEIGHT (KG)	DWG. NO.	P	REMARKS
11	ELBOW 90° 1/2" 1/2" 1/2"	G <sup>1</sup> / <sub>2</sub> X R <sup>3</sup> / <sub>4</sub>	1	0.1	1033-08-12		○	
10	ELBOW 90° 1/2" 1/2" 1/2"	G <sup>1</sup> / <sub>2</sub> X R <sup>3</sup> / <sub>4</sub>	1	0.1	9033-08-12		○	
9	ELBOW 90° 3/8" 3/8" 3/8"	G <sup>3</sup> / <sub>8</sub> X R <sup>3</sup> / <sub>8</sub>	2	0.1	1033-06		○	
8	ELBOW 90° 3/4" 3/4" 3/4"	G <sup>3</sup> / <sub>4</sub> X R <sup>3</sup> / <sub>4</sub>	1	0.1	1033-12		○	
7	ELBOW 90° 3/4" 1" 1"	G <sup>3</sup> / <sub>4</sub> X R1	1	0.1	1033-12-16		○	
6	ELBOW 90° 1/2" 1/2" 1/2"	G <sup>1</sup> / <sub>2</sub> X R <sup>1</sup> / <sub>2</sub>	1	0.1	1033-08		○	
5	ELBOW 90° 1/2" 1/2" 1/2"	G <sup>1</sup> / <sub>2</sub> X R <sup>1</sup> / <sub>2</sub>	1	0.1	9033-08-80		○	
4	HYD. HOSE 油圧ホース	~ 850	1	0.5	WP70-9		○	
3		~ 900	1	1.4	WP70-19		○	
2		~ 1650	1	0.8	WP70-12		○	
1	HYD. HOSE 油圧ホース	~ 750	1	0.7	WP175-12		○	

△		..		..				775324	51-66
△		..		..				775323	51-66
△		..		..				775298	51-66
△		..		..		T15368	51-66	T15289	51-66
REV.	REMARKS	DATE	REV.	APPD.	M. C.	JOB NO.	CLASSIF. NO.	JOB NO.	CLASSIF. NO.

添付1.参考写真

	<p>PLC 更新</p> <p>電気室 主幹盤</p> <p>□印：交換対象箇所</p>
	<p>PLC 更新</p> <p>運転室 リモート IO 盤</p> <p>□印：更新対象箇所</p>
<p>余白</p>	<p>余白</p>

